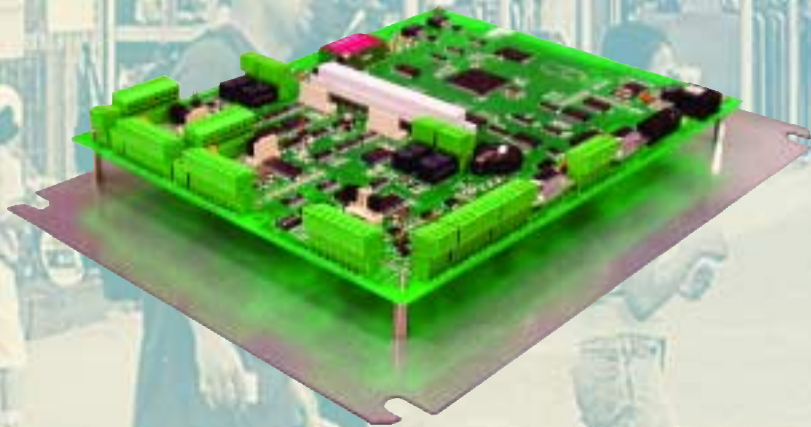




EVENT CONTROLLER (EVC)

Intelligent Access Control



 *bringing security to a single point*



***i-ax* EVC2 Event Controller**

The *i-ax* EVC2 Event Controller is the intelligent field controller providing low cost flexible integration of Access Control readers, alarm inputs, outputs, and elevator control with the *i-ax* Security Management System.

- Secure
- Distributed Intelligence
- Flexible
- Expandable
- Low Cost
- User & Engineer Friendly
- Reliable

Utilising Lantronix Intel Destiny Microprocessor technology the EVC2 represents a leap forward in modern Security Management Systems combining modern flexible communications technology, with intelligent processing of access and alarm events.

Secure

First and foremost the *i-ax* EVC2 Event Controller has been designed and developed around the requirements of a Security System, with communications encryption, secondary communications options, distributed intelligence and a wide range of advanced features.

Distributed Intelligence

With the total database for the whole 365 day 24 hour set up of every connected device stored on-board, the *i-ax* EVC2 Event Controller provides a totally intelligent solution for 21st Century security requirements. Irrespective of the status of the communications network the *i-ax* EVC2 Event Controller will continue to operate as programmed including changing status at set times. Incorporating an onboard real time clock thousand of events can be logged and downloaded when communications are restored or at a pre-programmed time or event, for example when the buffer reaches a set percentage full.

On-Board Memory

- | | |
|----------------------|-------------------|
| • Cardholder Memory | 22,000 expandable |
| • Buffer Events | 8,000 expandable |
| • Reader Zones Plans | 16 |
| • Alarm Zones Plans | 128 |
| • Timed Relay Plans | 128 |

Flexible

Not all buildings or security requirements are the same, therefore when designing the *i-ax* EVC2 Event Controller the overall brief was flexibility. An example of this is the ability of the *i-ax* EVC2 Event Controller to control local doors (fully intelligent) or up to 14 readers via remote reader interfaces (RRI).

Expandable

As modern buildings grow and security requirements change the *i-ax* EVC2 Event Controller can be expanded via 4 on-board slot cards or via remote Interfaces to control additional doors, readers, inputs and outputs.

Default Connect

- 2 readers direct connect – expandable to 10
- 14 Remote readers via RS485/RRI
- 8 inputs expandable to 128
- 4 outputs expandable to 128

Note: In all cases the *i-ax* EVC2 Event Controller can control a maximum of 16 Readers, 128 Inputs and 128 Relay Outputs.

Low Cost

As a result of the flexible expansion capability and engineer friendly design the cost of an installed *i-ax* EVC2 Event Controller base unit can be kept to the minimum, whilst still allowing a fully featured solution to be installed irrespective of budget.

Engineering

Simple removable plug in connectors together with logical and clear diagnostic information via the L.E.D array allow the *i-ax* EVC2 Event Controller to provide instant information on the status of the system and connected devices.

Installation

The *i-ax* EVC2 Event Controller has been designed for ease of installation, commissioning with low maintenance and simple, straightforward engineering functionality.

Reliable

As required for any product that works within the security environment the *i-ax* EVC2 Event Controller incorporates a wide range of reliability enhancing features such as: S.O.S (Safe Operating System) technology, onboard watchdog, full memory backup, extended circuit protection and variable voltage input (9vdc to 36vdc).

Peer to Peer

With integral peer-to-peer communications each EVC can communicate directly to every connected EVC on the network and directly control remote operating functions, irrespective of the status of the head end server or controller.

Additional Functionality

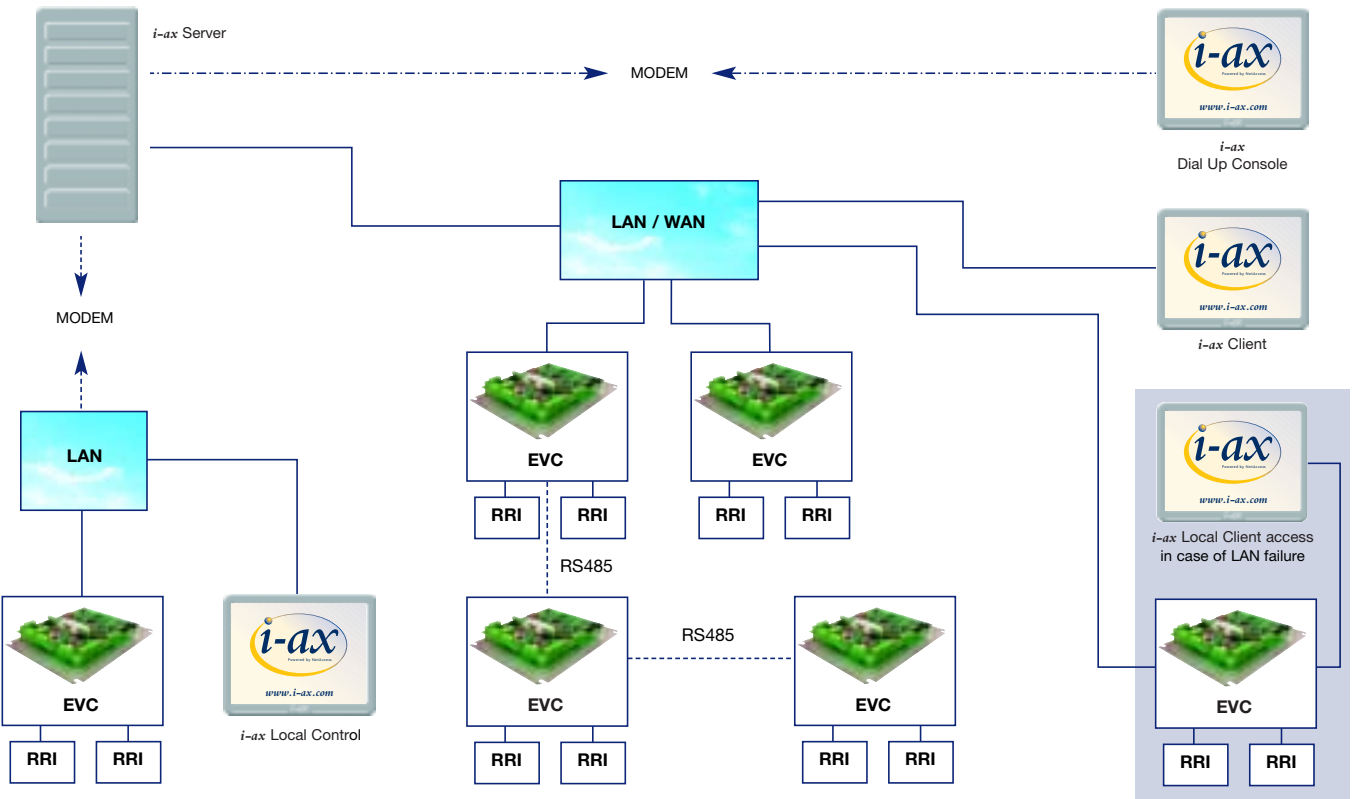
- Elevator Control via Relay Output or RS232
- Pin pad control
- LCD control
- Mode Codes – Time & Attendance Code Allocation
- Set – Unset Alarm Zone Control (requires a Pin pad and LCD for user feedback)
- 2 state or 4 state input monitoring

Communications

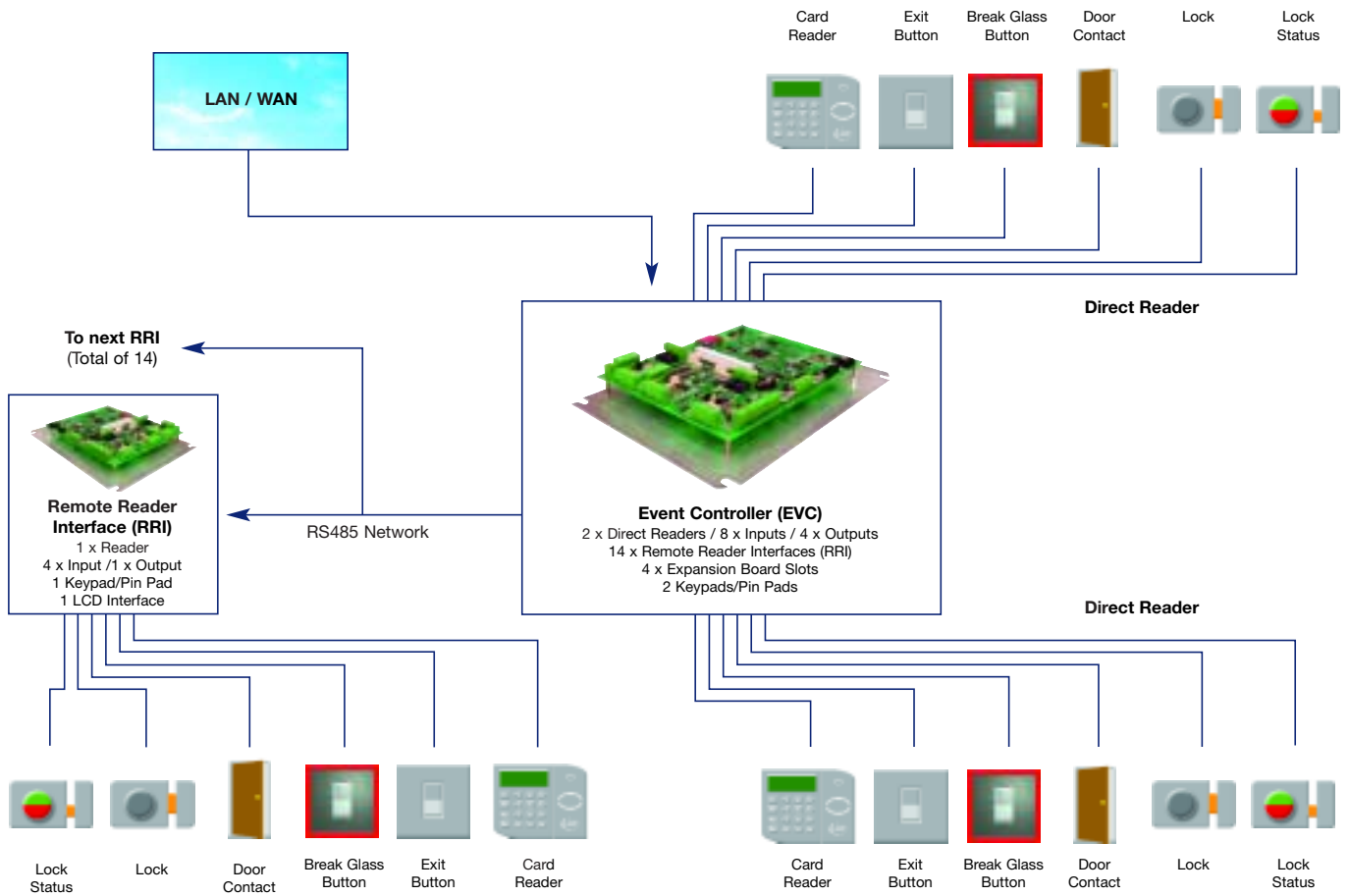
The *i-ax* EVC2 Event Controller supports, as standard, a wide range of communications mediums. Every EVC can be configured to utilise a single port or multiport with either direct LAN I/P or Radial or star configured RS485.

Ports

- UTP 10/100Mhz LAN
- 2 RS232 ports for primary and secondary modem communication
- RS485 for multidrop EVC to EVC communications.



Typical *i-ax* system configuration



Typical *i-ax* EVC configuration

SYSTEM SERVER SPECIFICATION DETAILS

Cardholders		Schedules		Remote Units	
Card Range	1 - 99,999,999	Access Zones	Unlimited	EVC2	Unlimited
Ticket Range	1 - 99,999,999	Access Schedules	365*No. Zones	Dialup EVC2	Unlimited
Cards per user	5	Alarm Zones	Unlimited	Card Readers	40,000
Issue Levels	1-99	Alarms Zone Schedules	365*No. Zones	Alarm Inputs	500,000
Biometric Profiles	5	Alarm Response Profiles	100,000	Alarm O/P	100,000
Pin Numbers	1,4,7 digit	Master Plans	50	Alarm Image Storage	HD dependant
Access Code Mode	10,000 Options	Timed Relay Schedules	365*No. Zones	Profiles	1-99,999,999

i-ax EVC EVENT CONTROLLER SPECIFICATION

EVC **Max**

Readers **16**

EVC Base	2
Reader Slot Card	2/per slot
RRI	14 Max

Pin Pad **16**

EVC Base	2
Reader Slot Card	2/per slot
RRI	14 Max

Alarm Inputs **128**

EVC Base	8
Reader Slot Card	8
RRI	4
I/O Slot Card	16

Alarm O/P **128**

EVC Base	4
Reader Slot Card	4
RRI	2
I/O Slot Card	8
O/P Slot Card	24

Expansion Slots **4**

Ports

TCP/IP UTP	1
RS232	2
RS485	4

Memory	Cardholder	Buffer
EVC Base	22,000	8,000
Memory Slot Card (Max 2)	100,000	N/A

Reader Interface	TTL	Weigand	RS232
EVC Base	Y	Y	Y
Reader Slot Card	Y	Y	Y
RRI	Y	Y	Y

Card Formats

- Weigand (all formats)
- Barcode (all formats)
- Mifare®
- Icode®
- Magnetic Swipe

Note : For additional format details please ask for details on Auto Card Learn Mode

Power Supply

Voltage	9V DC - 36V DC
Current	400MA - 800MA

Note : Slot O/P card requires additional 12V DC Supply

Distributed Intelligence

Access Zones	16
Alarm Zones	128
Security Plans	365
Master Plans	50

Environmental Data

Temperature	-10°C to +55°C
Humidity	95% non condensing



Alpha-ID is NetAccess' authorised UK distributor - T: 0870 350 1357 or E: sales@alpha-id.com

www.i-ax.com